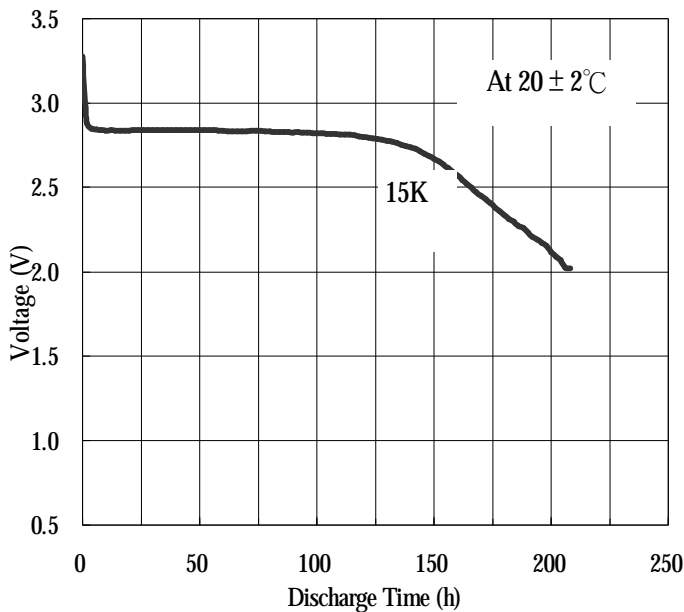
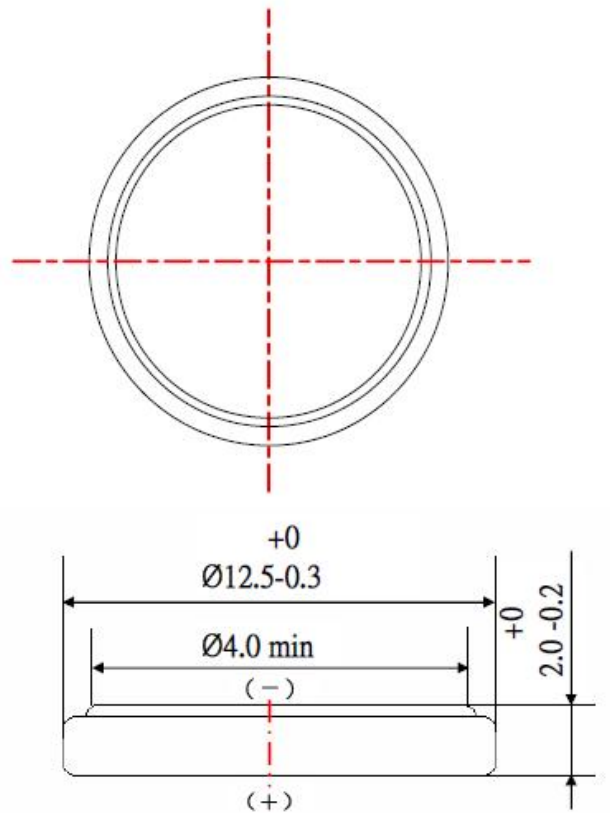


<b>Description</b>	: Flat Lithium Battery
<b>Chemical System</b>	: Lithium Manganese Dioxide
<b>Nominal Voltage</b>	: 3.0 V
<b>Nominal Capacity</b>	: 38mAh(Load Resistance: 30k $\Omega$ , Cutoff Voltage:2.0V at 20 $\pm$ 2 $^{\circ}$ C)  Refer to IEC60068-1 5.3, it is acceptable if the average data $\geq$ above and no more than one battery less than 80% in total 9 pcs tested sample.
<b>Maximum Pulse Discharge Current</b>	: 5mA
<b>Dimensions</b>	: $\Phi$ 12.5 *2.0 mm
<b>Shelf Life</b>	: 1 year at room temperature
<b>Weight</b>	: 0.8 grams
<b>Application</b>	: Computers, Calculators, Meters, Radios

### Typical Discharge Characteristics On Load



### Model No.: GPCR1220E



Unit : mm

### Note:

- 1) No added Mercury / 99.9999% Mercury Free
- 2) No added Lead / 99.999% Lead Free
- 3) No added Cadmium / 99.9999% Cadmium Free
- 4) No added PFOS (Perfluorooctane sulfonates)
- 5) This battery complies with ANSI C18, IEC 60086, and EEC Directive 2006/66/EC
- 6) Batteries are NOT subject to European RoHS regulations.
- 7) Primary Batteries (non-Rechargeable) are not subject to China RoHS regulations.
- 8) Store lithium coin cells out of sight and reach of young children.
- 9) Make certain the battery compartment of every household product is securely closed and child-resistant (for example screwed shut), and/or the product is stored out of the reach of young children.

In applications where the battery is exposed to temperatures above 70  $^{\circ}$ C, please contact GP for consultancy.

The information (subject to change without prior notice) contained in this document is for reference only and should not be used as a basis for product guarantee or warranty. For applications other than those described here, please consult your nearest GP Sales and Marketing Office or Distributors.