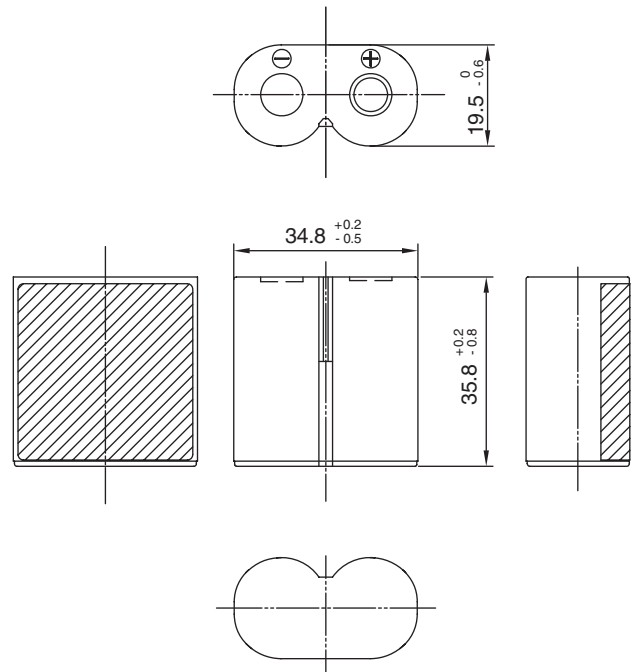


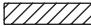
Model No.: **GPCR-P2**

Description	: Lithium Battery
Chemical System	: Lithium Manganese Dioxide
Nominal Voltage	: 6.0 Volts
Nominal Capacity	: 1400mAh @ 10mA to 4.0V at 23°C
Dimensions	: 34.8(L) x 19.5(W) x 35.8(H)mm
Terminals	: Flat, Connector
Jacket	: Plastic Case
Shelf Life	: 10 years
Average Weight	: App. 37g
Application	: Photo

Cross References:

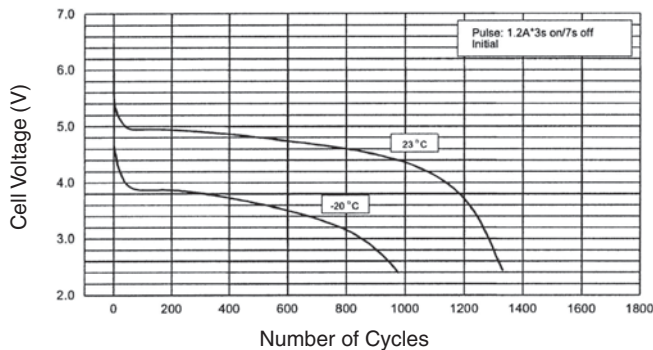
GP	IEC	Eveready	Duracell
CR-P2	CR-P2	EL223AP	DL223A



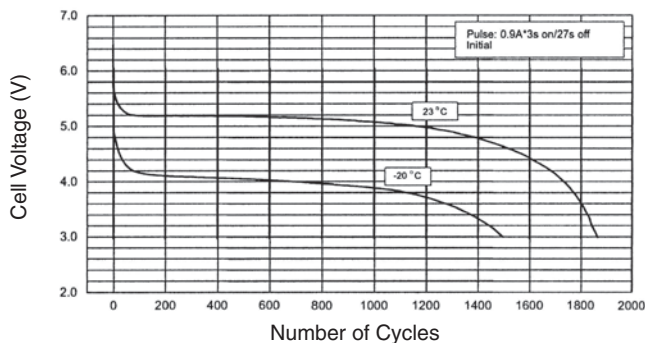
 Label Area

Unit : mm

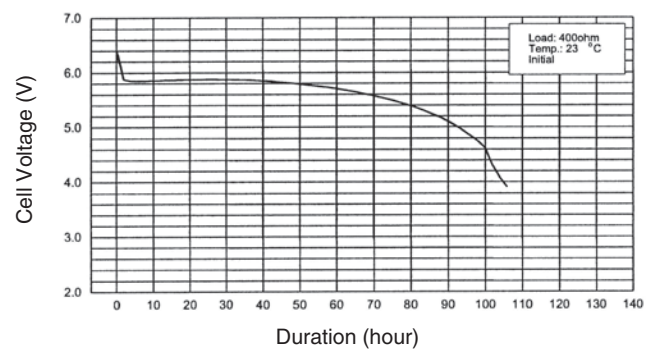
Pulse Discharge Characteristics of CR-P2



Pulse Discharge Characteristics of CR-P2



Discharge Characteristics of CR-P2



The information (subject to change without prior notice) contained in this document is for reference only and should not be used as a basis for product guarantee or warranty. For applications other than those described here, please consult your nearest GP Sales and Marketing Office or Distributors.