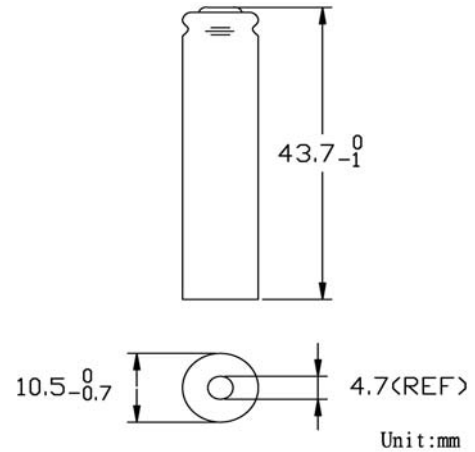
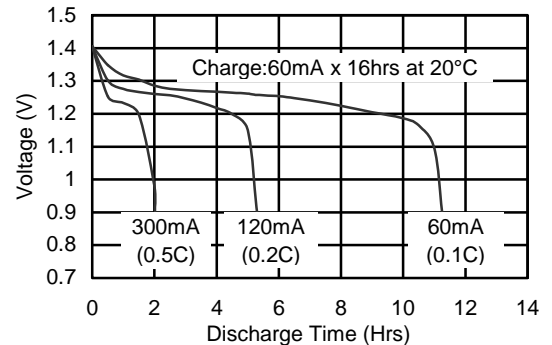


Model No.: GP60AAAHT

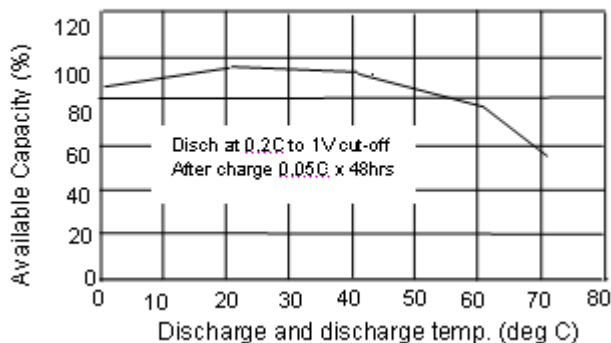
Type	: High Temperature Rechargeable Nickel Metal Hydride Cylindrical Cell
Nominal Dimension (with Sleeve)	: $\Phi = 10.5\text{mm}$ H = 43.7mm
Applications	: Recommended discharge current 60 to 600mA
Nominal Voltage	: 1.2V
Capacity	: Rated: 600mAh Typical: 630mAh When discharged at 120mA to 1.0V at 20°C
Charging Condition	: Standard mode: 60mA for 16 hrs at 20°C Standby Intermittent mode: 60mA for 16hrs at 20°C then maintenance with 60mA for 1min/10mins.
Charging Retention	: 80% of rated capacity after cell storage at 20°C for 12 months When discharged at 120mA to 1.0V at 20°C
Service Life	: > 500 cycles (IEC standard)
Continuous Overcharge	: Comply with IEC standard Permanent Charge Endurance Test
Weight	: 14.0g
Internal Resistance	: Average 40m Ω upon fully charged (Max. 50m Ω) at 1000Hz
Max. Charging Voltage	: 1.5V at 60mA charging
Ambient Temperature Range	: Charge : 0 to 50°C Discharge : -20 to 70°C Storage : -20 to 35°C Storage (1 week) : -20 to 60°C



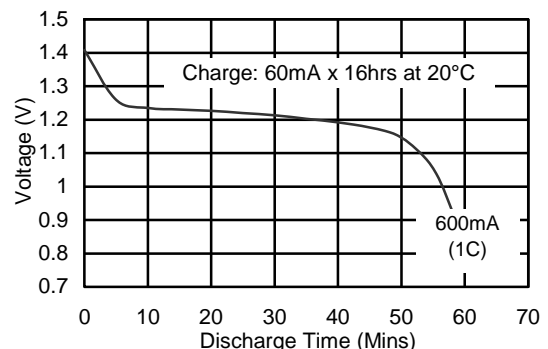
Low Rate Discharge



Charge/discharge efficiency vs temp



High Rate Discharge



The information (subject to change without prior notice) contained in this document is for reference only and should not be used as a basis for product guarantee or warranty. For applications other than those described here, please consult your nearest GP Sales and Marketing Office or Distributors.