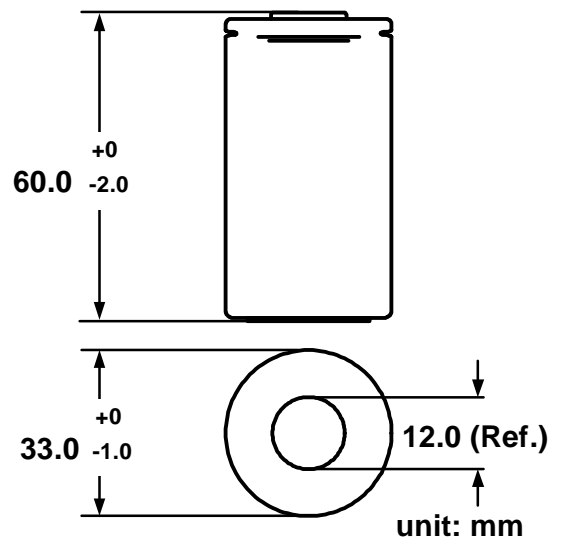
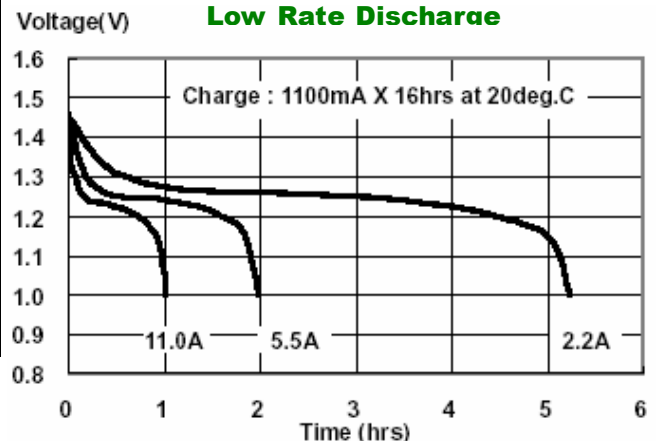


Model No.: GP1100DH

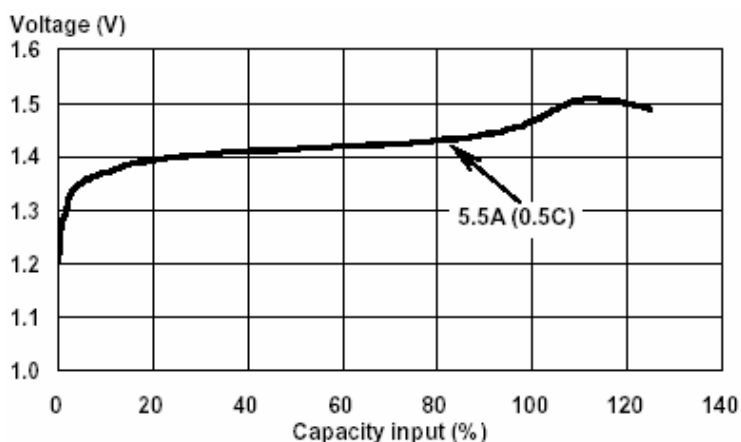
Type	: Rechargeable Nickel Metal Hydride Cylindrical Cell
Nominal Dimension (with Sleeve)	: $\Phi = 33.0\text{mm}$ H = 60.0mm
Applications	: Recommended discharge current 2200mA to 55A
Nominal Voltage	: 1.2V
Capacity	: Rated: 11000mAh Typical: 11550mAh When discharged at 2200mA to 1.0V at 20°C
Charging Condition	: 1100mA for 16hrs at 20°C
Charge Retention	: 50% of rated capacity after cell storage at 20°C for 12 months When discharged at 2.2A to 1.0V at 20°C
Fast Charge	: 2.2A to 5.5A (0.2 to 0.5C) charge termination control recommended control parameters: - ΔV : 0-5mV DT/dt : 0.8°C/min(0.5C) TCO : 40 – 50°C Timer : 105% nominal input (For ref. only)
Service Life	: > 500 cycles (IEC standard)
Continuous Overcharge	: 1100mA maximum current for 1 year. No conspicuous deformation and/or leakage
Weight	: 179g
Internal Resistance	: Average 6m Ω upon fully charged (Max:8m Ω) at 1000Hz
Max. Charging Voltage	: 1.5V at 1100mA charging
Ambient Temperature Range	: Standard Charge : 0 to 40°C Fast Charging : 10 to 40°C Discharge : -20 to 50°C Storage : -20 to 35°C Storage (1 week) : -20 to 60°C



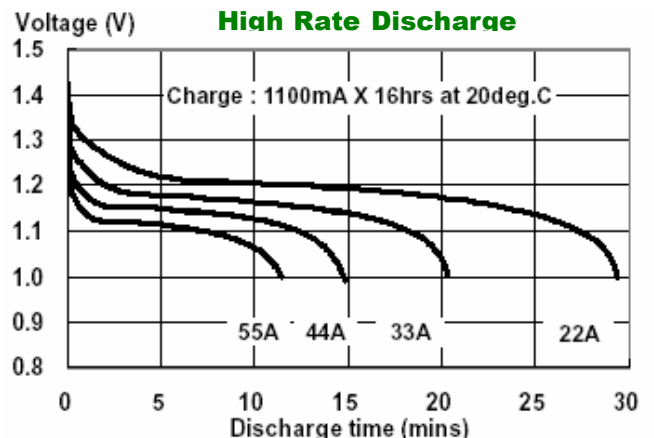
Low Rate Discharge



Fast Charge (Charge Control Required)



High Rate Discharge



The information (subject to change without prior notice) contained in this document is for reference only and should not be used as a basis for product guarantee or warranty. For applications other than those described here, please consult your nearest GP Sales and Marketing Office or Distributors.