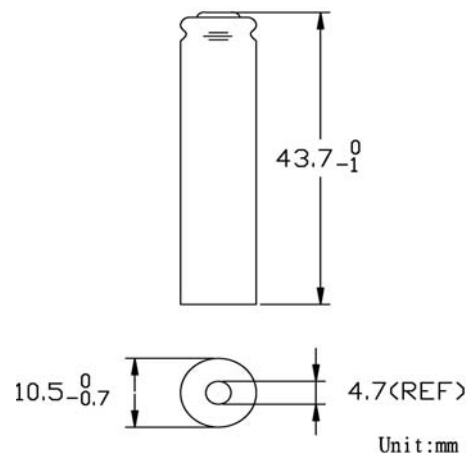


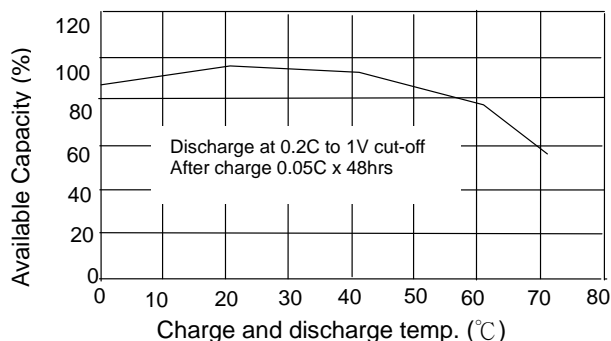
Model No.: GP60AAAHT4

Type	: High Temperature Rechargeable Nickel Metal Hydride Cylindrical Cell
Nominal Dimension (with Sleeve)	: $\Phi = 10.5 \text{ mm}$ $H = 43.7 \text{ mm}$
Applications	: Recommended discharge current 60 to 1000 mA
Nominal Voltage	: 1.2V
Capacity	: Rated: 600 mAh Typical: 620 mAh When discharged at 120 mA to 1.0V at 20°C
Charging Condition	: 60 mA for 16 hrs at 20°C
Charging Retention	: 70% of rated capacity after cell storage at 20°C for 12 months When discharged at 120mA to 1.0V at 20°C
Service Life	: > 500 cycles(IEC standard 61951-2)
Continuous Overcharge	: 60mA maximum current for 1 year. No conspicuous deformation and/or leakage
Weight	: 14.0g
Internal Resistance	: Average 40m Ω upon fully charged (Max. 50 m Ω)at 1000Hz
Max. Charging Voltage	: 1.5V at 60 mA charging
Ambient Temperature Range	: Standard Charge : 0 to 70°C Discharge(Recommended) :-20 to 85°C Discharge(Possible) :-35 to 85°C Storage(Recommended) :-20 to 35°C Storage (Possible) :-40 to 85°C*

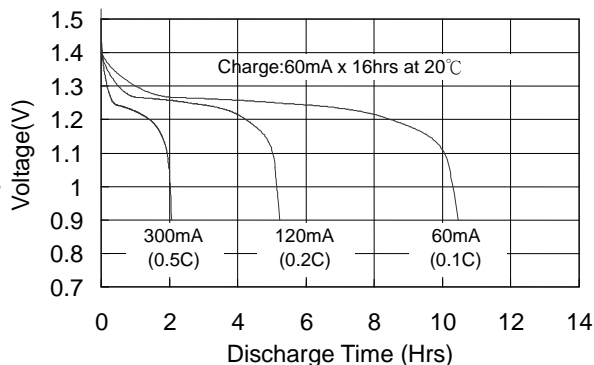


* Storage at high temperature will have risk of cell deterioration.

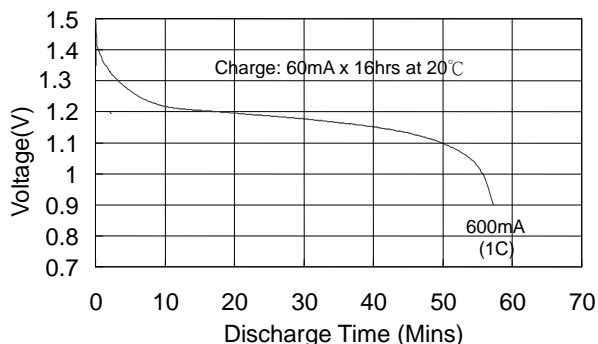
Charge/discharge efficiency vs temp



Low Rate Discharge



High Rate Discharge



The information (subject to change without prior notice) contained in this document is for reference only and should not be used as a basis for product guarantee or warranty. For applications other than those described here, please consult your nearest GP Sales and Marketing Office or Distributors.