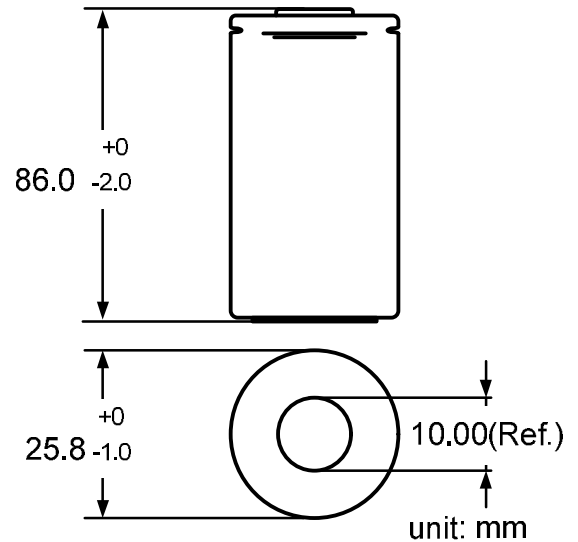
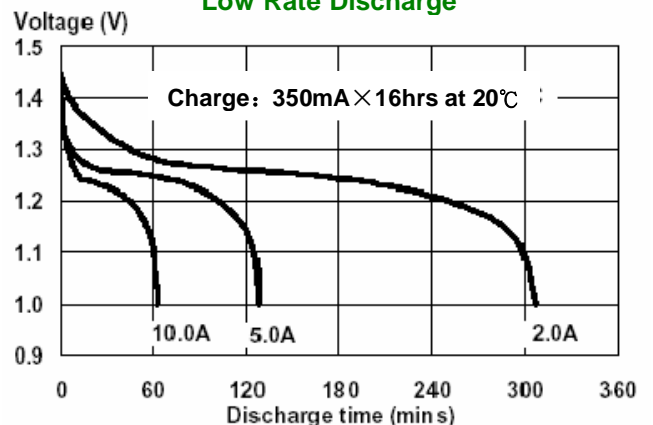


Model No.: GP1000CH

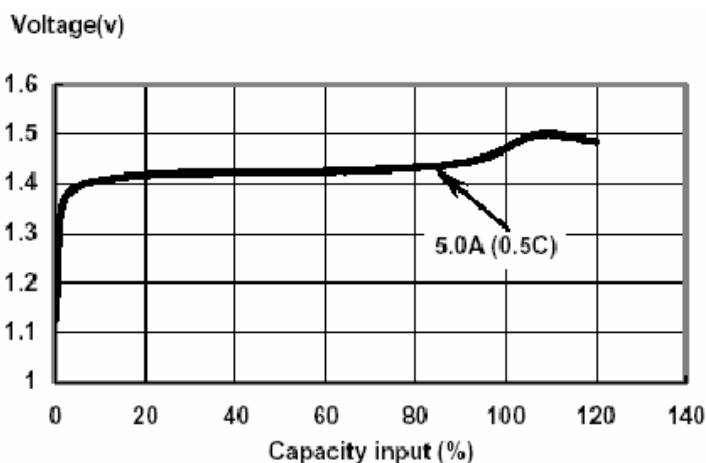


Type	: Rechargeable Nickel Metal Hydride Cylindrical Cell
Nominal Dimension (with Sleeve)	: $\Phi = 25.8\text{mm}$ H = 86.0mm
Applications	: Recommended discharge current 2000mA to 30A
Nominal Voltage	: 1.2V
Capacity	: Rated: 10000mAh Typical: 10250mAh When discharged at 2000mA to 1.0V at 20°C
Charging Condition	: 1000mA for 16hrs at 20°C
Fast Charge	: 5000mA (0.5C) to 10000mAh(1C) with charge termination control recommended control parameters: - ΔV : 0-5mV DT/dt : 0.8°C/min (0.5C to 0.9C) 0.8-1°C/min (1C) TCO : 45 - 50°C Timer : 105% nominal input (Secondary)
Charge Retention	: 50% of rated capacity after cell storage at 20°C for 12 months When discharged at 2000mA to 1.0V at 20°C
Service Life	: >500 cycles (IEC standard)
Continuous Overcharge	: 1000mA maximum current No conspicuous deformation and/or Leakage
Weight	: 169g
Internal Resistance	: Average 6m Ω upon fully charged (Max 8m Ω) at 1000Hz
Max. Charging Voltage	: 1.5V at 1000mA charging
Ambient Temperature Range	: Standard Charge : 0 to 40°C Fast Charging : 10 to 40°C Discharge : -20 to 50°C Storage : -20 to 35°C Storage(1 week) : -20 to 60°C

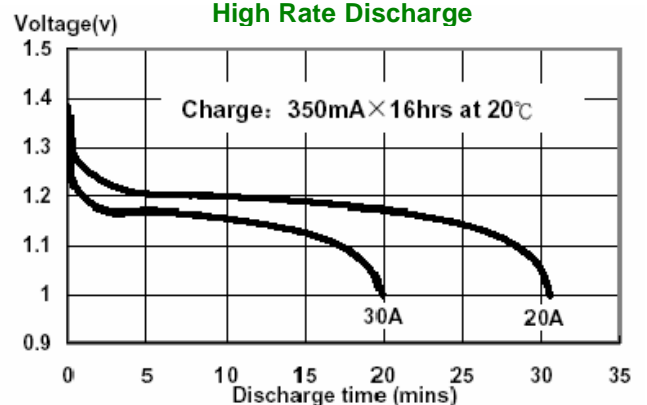
Low Rate Discharge



Fast Charge (Charge Control required)



High Rate Discharge



The information (subject to change without prior notice) contained in this document is for reference only and should not be used as a basis for product guarantee or warranty. For applications other than those described here, please consult your nearest GP Sales and Marketing Office or Distributors.