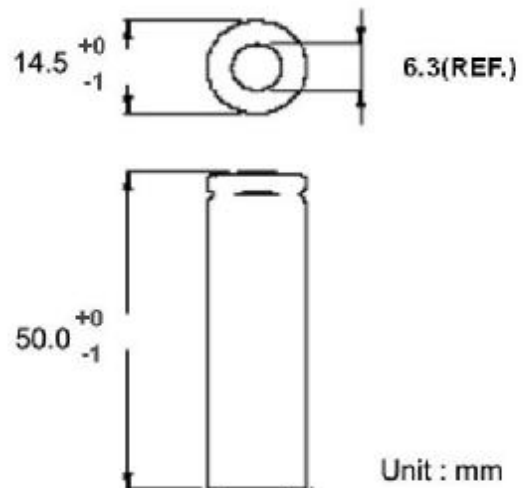
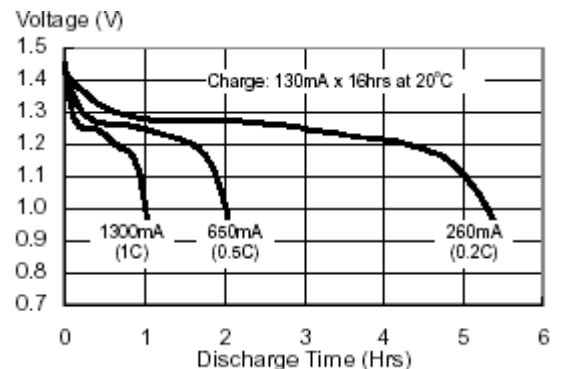


Type	: Rechargeable Nickel Metal Hydride Cylindrical Cell
Nominal Dimension (with Sleeve)	: $\Phi = 14.5\text{mm}$ H = 50.0mm
Applications	: Recommended discharge current 130 to 13000mA.
Nominal Voltage	: 1.2V
Capacity	: Rated: 1300mAh Typical: 1350mAh When discharged at 260mA to 1.0V at 20°C
Charging Condition	: 130mA for 16 hrs at 20°C
Charging Retention	: 80% of rated capacity after cell storage at 20°C for 12 months
Fast Charge	: 650mA to 1300mA (0.5 to 1C) charge termination control recommended control parameters: - ΔV : 0-5mV DT/dt : 0.8°C/min (0.5 to 0.9C) 0.8 - 1°C/min (1C) TCO : 45 - 50°C Timer : 105% nominal input (for ref. only)
Service Life	: >500 cycles (IEC standard) not less than 60% of rated at 0.1C charged / 0.2C discharged
Continuous Overcharge	: 130mA maximum current for 1 year. No conspicuous deformation and/or leakage
Weight	: 27.0g
Internal Resistance	: Average 12m Ω upon fully charged (Max.20m Ω) at 1000Hz
Max. Charging Voltage	: 1.5V at 130mA charging
Ambient Temperature Range	: Standard Charge : 0 to 45°C Fast Charging : 10 to 45°C Discharge : -20 to 50°C Storage : -20 to 35°C

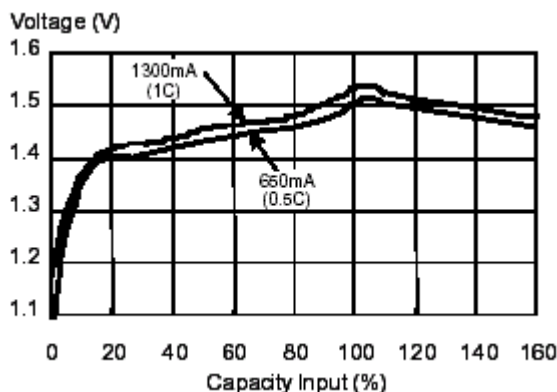
Model No.: GP130AAHV



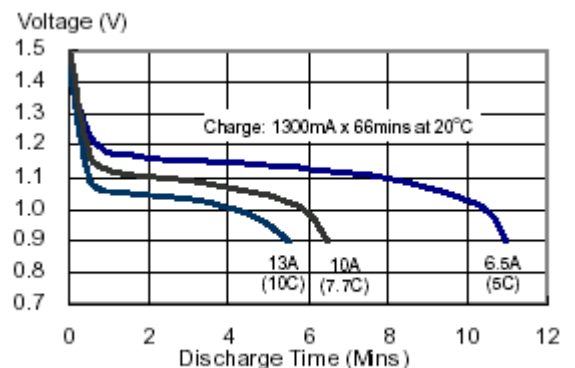
Low Rate Discharge



Fast Charge (Charge Control Required)



High Rate Discharge



The information (subject to change without prior notice) contained in this document is for reference only and should not be used as a basis for product guarantee or warranty. For applications other than those described here, please consult your nearest GP Sales and Marketing Office or Distributors.