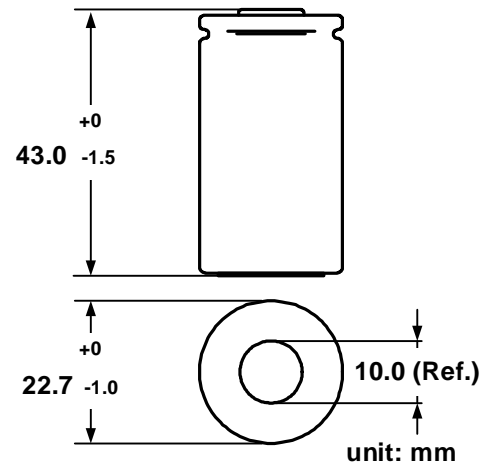
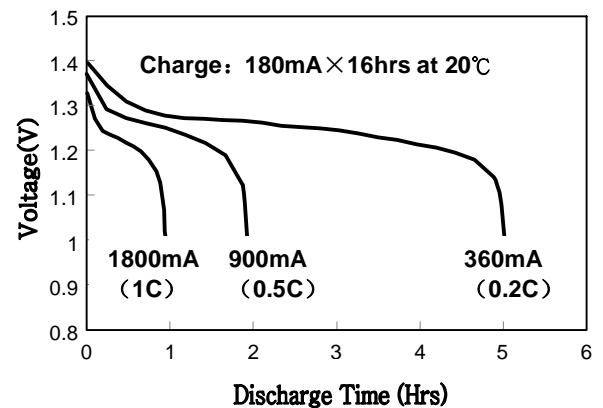


Type	: Rechargeable Nickel Metal Hydride Cylindrical Cell
Nominal Dimension (with Sleeve)	: $\Phi = 22.7\text{mm}$ H = 43.0mm
Applications	: Recommended discharge current 180mA to 18A
Nominal Voltage	: 1.2V
Capacity	: Rated: 1800mAh Typical: 1850mAh when discharged at 360mA to 1.0V at 20°C
Charging Condition	: 180mA for 16 hrs at 20°C
Fast Charge	: 900mA to 1800mA (0.5 to 1C) charge termination control recommended control parameters: - ΔV : 0-5mV DT/dt : 0.8°C/min (0.5 to 0.9C) 0.8 - 1°C/min (1C) TCO : 45 - 50°C Timer : 105% nominal input (secondary)
Charge Retention	: 80% of rated capacity after cell storage at 20°C for 28 days 50% of rated capacity after cell storage at 20°C for 12months When discharged at 360mA to 1.0V at 20°C
Service Life	: >500 cycles (IEC standard)
Continuous Overcharge	: 180mA maximum current. No conspicuous deformation and/or Leakage
Weight	: 43.0g
Internal Resistance	: Average 7m Ω upon fully charged (Max. 8m Ω) at 1000Hz
Max. Charging Voltage	: 1.5V at 180mA charging
Ambient Temperature Range	: Standard Charge : 0 to 40°C Fast Charging : 10 to 40°C Discharge : -20 to 50°C Storage : -20 to 35°C Storage (1week) : -20 to 60°C

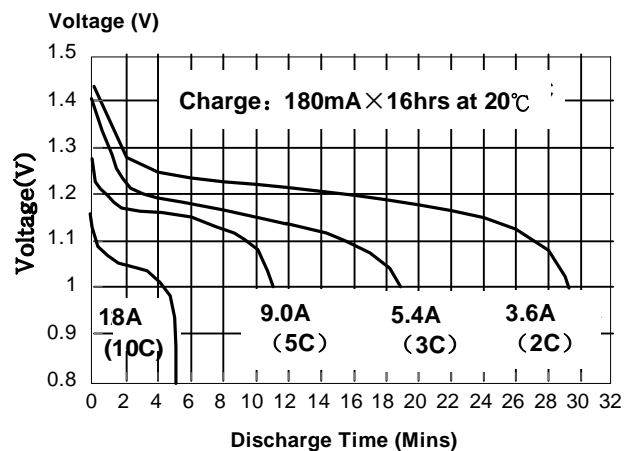
Model No.: **GP180SCHSV**



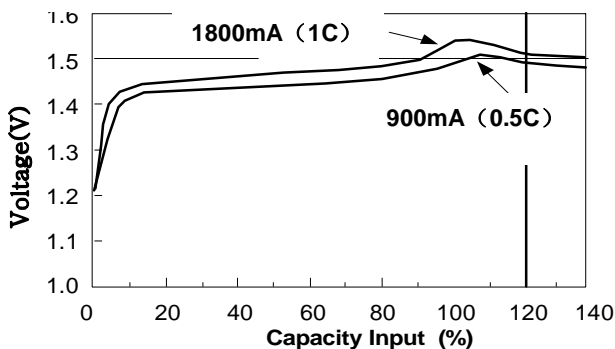
Low Rate Discharge



High Rate Discharge



Fast Charge (Charge Control Required)



The information (subject to change without prior notice) contained in this document is for reference only and should not be used as a basis for product guarantee or warranty. For applications other than those described here, please consult your nearest GP Sales and Marketing Office or Distributors.