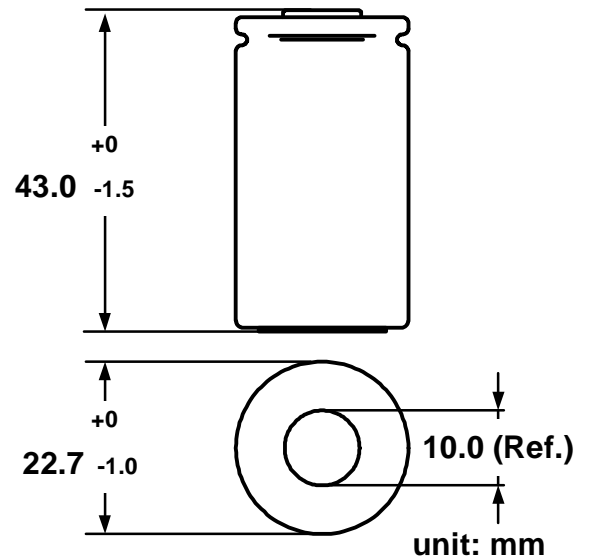


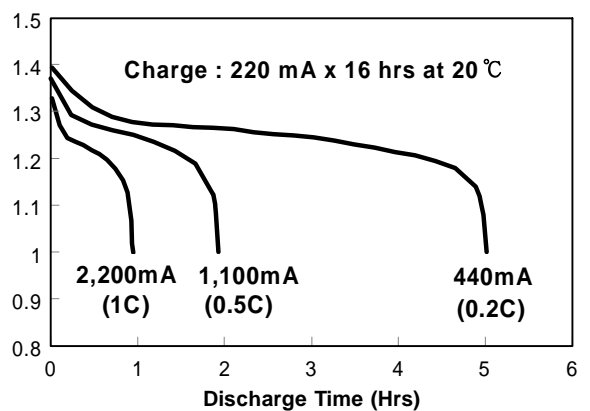
Model No.: **GP220SCHSV/GPHC22SV**

Type	: Rechargeable Nickel Metal Hydride Cylindrical Cell
Nominal Dimension (with Sleeve)	: $\Phi = 22.7\text{mm}$ H = 43.0mm
Applications	: Recommended discharge current 220mA to 22A
Nominal Voltage	: 1.2V
Capacity	: Rated: 2200mAh Typical: 2300mAh when discharged at 440mA to 1.0V at 20°C
Charging Condition	: 220mA for 16 hrs at 20°C
Fast Charge	: 1100mA to 2200mA (0.5 to 1C) charge termination control recommended control parameters: - ΔV : 0-5mV DT/dt : 0.8°C/min (0.5 to 0.9C) 0.8 - 1°C/min (1C) TCO : 45 - 50°C Timer : 105% nominal input (for ref. only)
Charge Retention	: 50% of nominal capacity after cell storage at 20°C for 12months When discharged at 440mA to 1.0V at 20°C
Service Life	: >500 cycles (IEC standard)
Continuous Overcharge	: 220mA maximum current for 1 year. No conspicuous deformation and/or Leakage
Weight	: 45.5g
Internal Resistance	: Average 7m Ω upon fully charged (Max. 10m Ω) at 1000Hz
Max. Charging Voltage	: 1.5V at 220mA charging
Ambient Temperature Range	: Standard Charge : 0 to 40°C Fast Charging : 10 to 40°C Discharge : -20 to 50°C Storage : -20 to 35°C Storage (1week) : -20 to 60°C



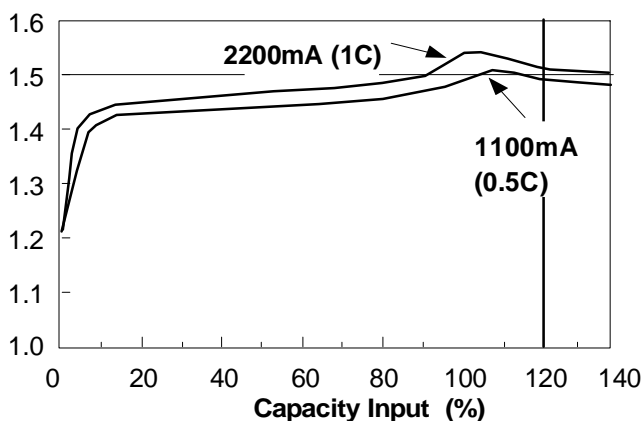
Low Rate Discharge

Voltage (V)



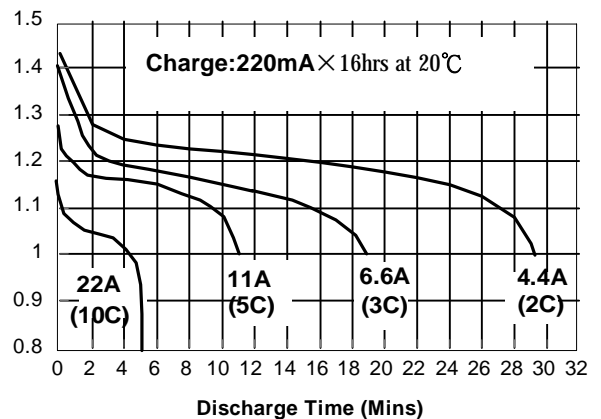
Fast Charge (Charge Control required)

Voltage (V)



High Rate Discharge

Voltage (V)



The information (subject to change without prior notice) contained in this document is for reference only and should not be used as a basis for product guarantee or warranty. For applications other than those described here, please consult your nearest GP Sales and Marketing Office or Distributors.