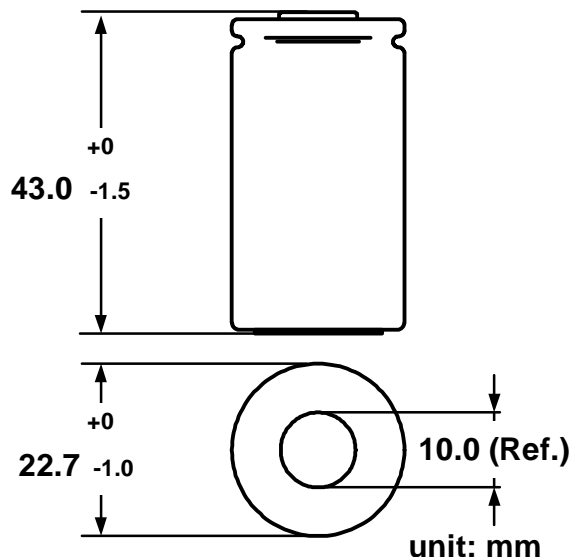
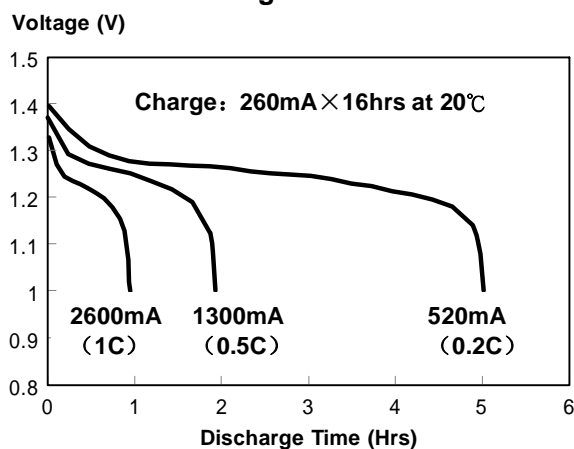


Model No.: **GP260SCHSV**

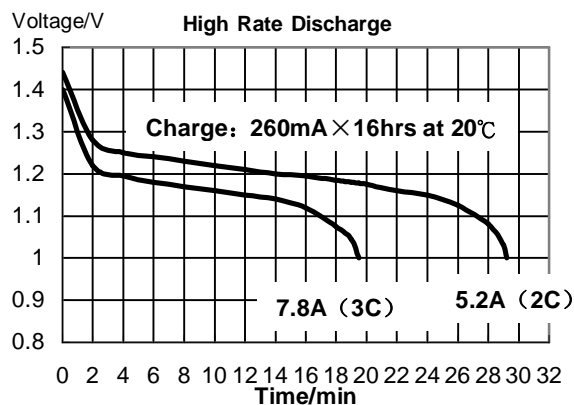
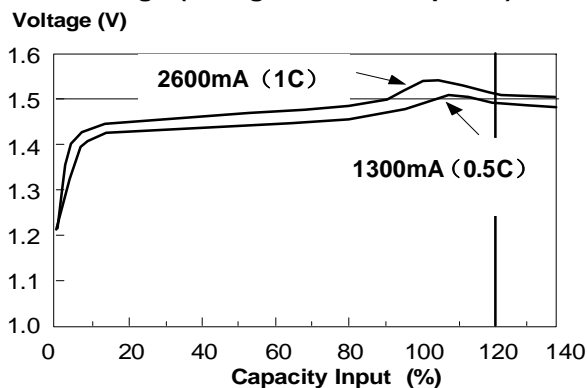
Type	: Rechargeable Nickel Metal Hydride Cylindrical Cell
Nominal Dimension (with Sleeve)	: $\Phi = 23.0\text{mm}$ H = 43.0mm
Applications	: Recommended discharge current 260mA to 13A
Nominal Voltage	: 1.2V
Capacity	: Rated: 2600mAh Typical: 2650mAh when discharged at 520mA to 1.0V at 20°C
Charging Condition	: 260mA for 16 hrs at 20°C
Fast Charge	: 1300mA to 2600mA (0.5 to 1C) charge termination control recommended control parameters: - ΔV : 0-5mV DT/dt : 0.8°C/min (0.5 to 0.9C) 0.8 - 1°C/min (1C) TCO : 45 - 50°C Timer : 105% nominal input (for ref. only)
Charge Retention	: 50% of nominal capacity after cell storage at 20°C for 12months When discharged at 520mA to 1.0V at 20°C
Service Life	: >500 cycles (IEC standard) not less than 60% of nominal at 0.1C charged / 0.2C discharged
Continuous Overcharge	: 260mA maximum current for 1 year. No conspicuous deformation and/or Leakage
Weight	: 49.0g
Internal Resistance	: Average 6m Ω upon fully charged (Max 10m Ω) at 1000Hz
Max. Charging Voltage	: 1.5V at 260mA charging
Ambient Temperature Range	: Standard Charge : 0 to 40°C Fast Charging : 10 to 40°C Discharge : -20 to 50°C Storage : -20 to 35°C Storage (1week) : -20 to 60°C



Low Rate Discharge



Fast Charge (Charge Control required)



The information (subject to change without prior notice) contained in this document is for reference only and should not be used as a basis for product guarantee or warranty. For applications other than those described here, please consult your nearest GP Sales and Marketing Office or Distributors.