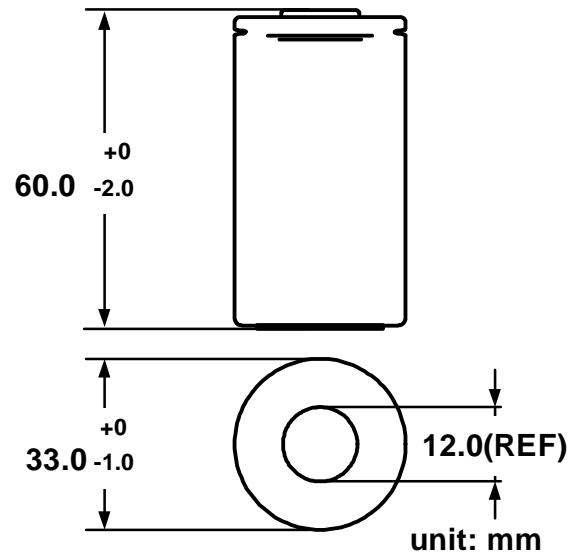
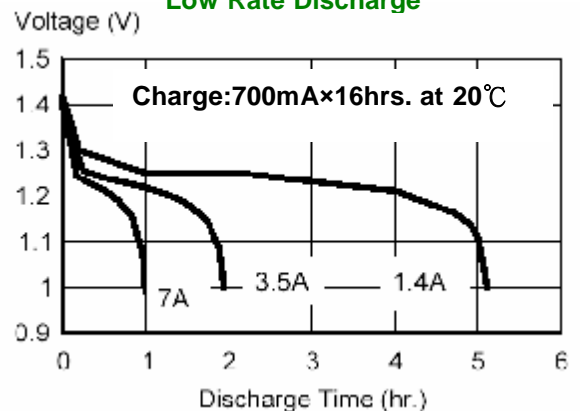


Model No.: **GP700DH**

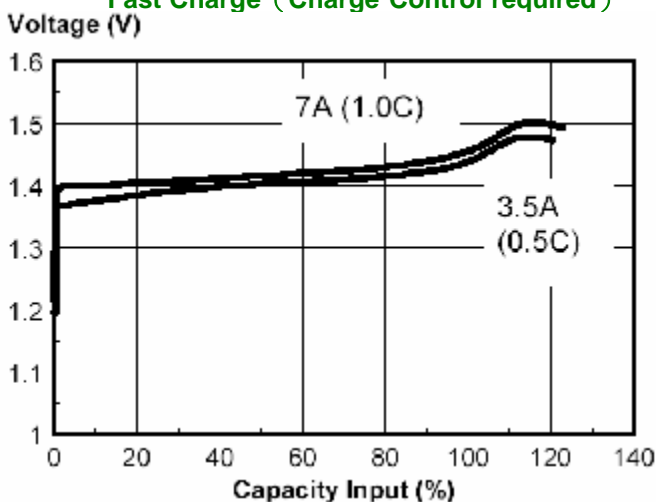
Type	: Rechargeable Nickel Metal Hydride Cylindrical Cell
Nominal Dimension (with Sleeve)	: $\Phi = 33.0\text{mm}$ H = 60.0mm
Applications	: Recommended discharge current 3500mA to 21A
Nominal Voltage	: 1.2V
Capacity	: Rated: 7000mAh Typical: 7300mAh When discharged at 1400mA to 1.0V at 20°C
Charging Condition	: 700mA for 16hrs at 20°C
Fast Charge	: 1.4A to 3.5A (0.2 to 0.5C) charge termination control recommended control parameters: - ΔV : 0-5mV DT/dt : 0.8°C/min TCO : 45 - 50°C Timer : 105% nominal input
Charge Retention	: 50% of nominal capacity after cell storage at 20°C for 12months When discharged at 1.4A to 1.0V at 20°C
Service Life	: >500 cycles (IEC standard) Up to 1000 cycles (not less than 60% of nominal at 0.1C charge / 0.2C discharge)
Continuous Overcharge	: 700mA maximum current for 1 year. No conspicuous deformation and/or Leakage
Weight	: 155g
Internal Resistance	: Average 6m Ω upon fully charged (Max. 10m Ω) at 1000Hz
Max. Charging Voltage	: 1.5V at 700mA charging
Ambient Temperature Range	: Standard Charge : 0 to 40°C Fast Charging : 10 to 40°C Discharge : -20 to 50°C Storage : -20 to 35°C Storage(1 week) : -20 to 60°C



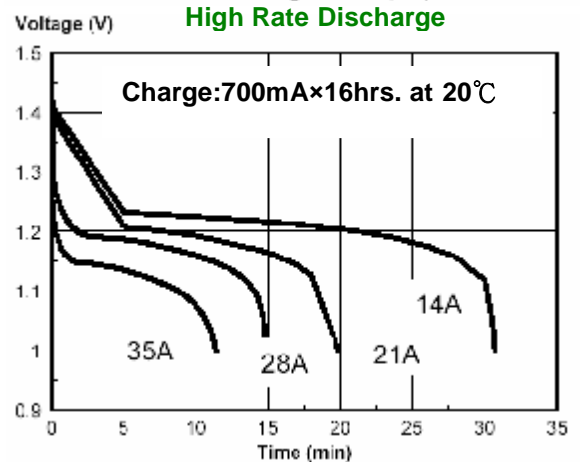
Low Rate Discharge



Fast Charge (Charge Control required)



High Rate Discharge



The information (subject to change without prior notice) contained in this document is for reference only and should not be used as a basis for product guarantee or warranty. For applications other than those described here, please consult your nearest GP Sales and Marketing Office or Distributors.

MRS1080rev01