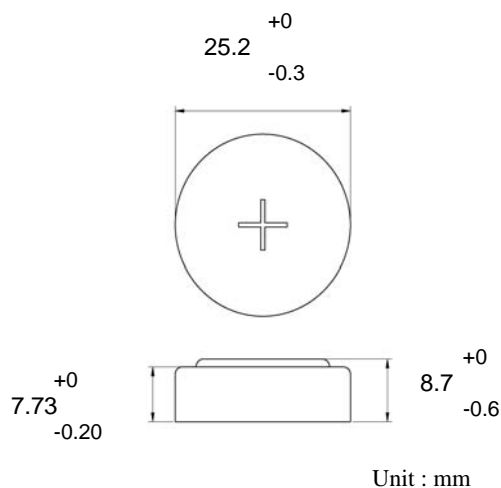
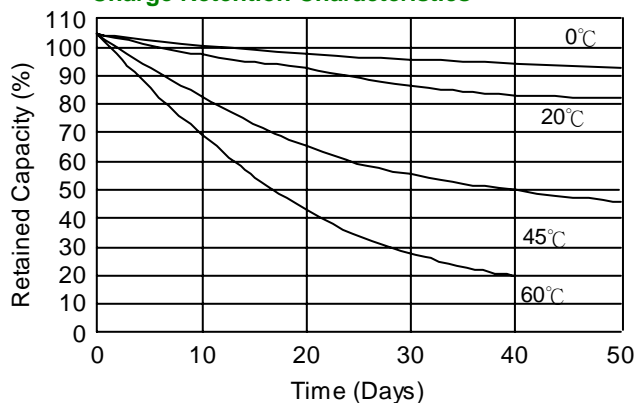


Type	: Rechargeable Nickel Metal Hydride Button Cell
Nominal Dimension (with Sleeve)	: $\Phi = 25.2\text{mm}$ H = 8.7mm
Applications	: Recommended discharge current 3.2 to 160 mA
Nominal Voltage	: 1.2V
Capacity	: Nominal: 320mAh Minimum: 320mAh Typical: 370mAh When discharged at 0.2C to 1.0V at 20°C
Charging Condition	: 32 mA for 16 hrs at 20°C
Service Life	: >500 cycles (IEC standard)
Continuous Overcharge	: 32 mA maximum current for 1 year No conspicuous deformation and/or leakage
Weight	: 14.1g
Internal Resistance	: Under 200 m Ω upon fully charged
Max. Charging Voltage	: 1.5V at 32mA charging
Ambient Temperature Range	: Standard Charging : 0 to 45°C Discharging : 0 to 45°C Storage : -20 to 45°C

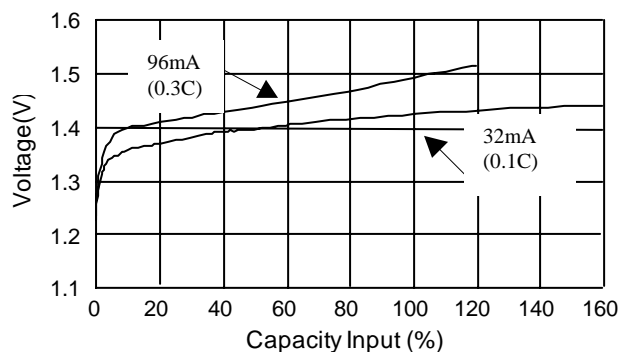
Model No.: **GP320BVH**



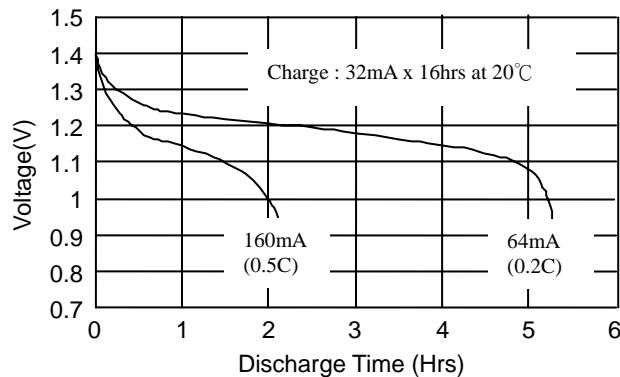
Charge Retention Characteristics



Charge Characteristics



Discharge Characteristics



The information (subject to change without prior notice) contained in this document is for reference only and should not be used as a basis for product guarantee or warranty. For applications other than those described here, please consult your nearest GP Sales and Marketing Office or Distributors.