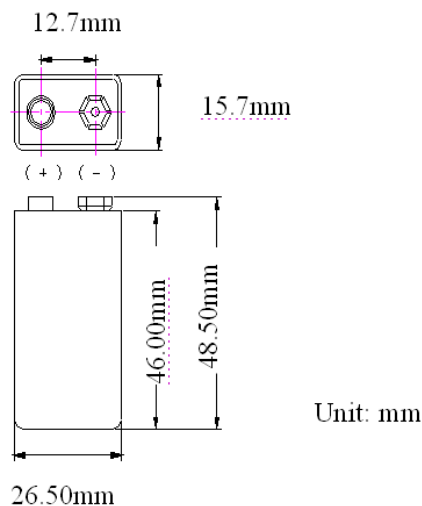
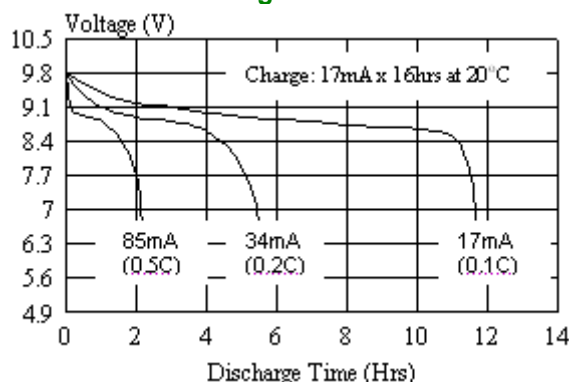


### Model No.: GP17R8H

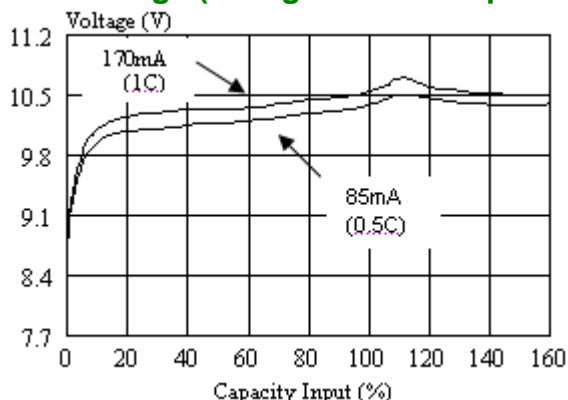
<b>Type</b>	: Rechargeable Nickel Metal Hydride Cylindrical Cell
<b>Nominal Dimension (with Sleeve)</b>	: 15.7mm(l) x 26.5mm(w) x 48.5mm(h)
<b>Applications</b>	: Recommended discharge current 17 to 510mA
<b>Nominal Voltage</b>	: 8.4V
<b>Capacity</b>	: Rated: 170mAh Typical: 175mAh When discharged at 34mA to 7.0V at 20°C
<b>Charging Condition</b>	: 17mA for 16 hrs at 20°C
<b>Charging Retention</b>	: 80% of rated capacity after cell storage at 20°C for 12 months When discharged at 34mA to 7.0V at 20°C
<b>Fast Charge</b>	: 85mA to 170mA (0.5 to 1C) charge termination control recommended control parameters: -ΔV : 0-35mV DT/dt : 0.8°C/min (0.5 to 0.9C) 0.8 - 1°C/min (1C) TCO : 45 - 50°C Timer : 105% nominal input (for ref. only)
<b>Service Life</b>	: > 500 cycles (IEC standard)
<b>Continuous Overcharge</b>	: 17mA maximum current for 1 year. No conspicuous deformation and/or leakage
<b>Weight</b>	: 32g
<b>Internal Resistance</b>	: Maximum 2000mΩ upon fully charged at 1000Hz
<b>Max. Charging Voltage</b>	: 12.0V at 17mA charging
<b>Ambient Temperature Range</b>	: Standard Charge : 0 to 45°C Fast Charging : 10 to 45°C Discharge : -20 to 50°C Storage : -20 to 35°C



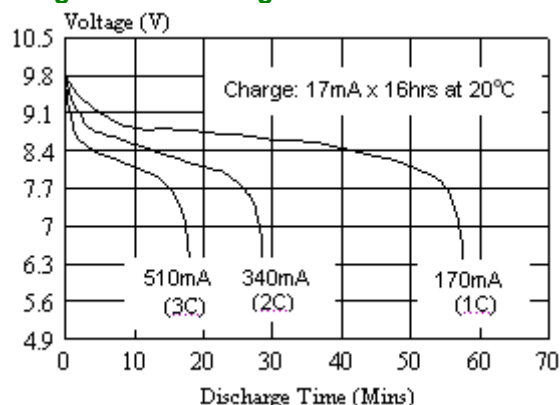
#### Low Rate Discharge



#### Fast Charge (Charge control required)



#### High Rate Discharge



The information (subject to change without prior notice) contained in this document is for reference only and should not be used as a basis for product guarantee or warranty. For applications other than those described here, please consult your nearest GP Sales and Marketing Office or Distributors.