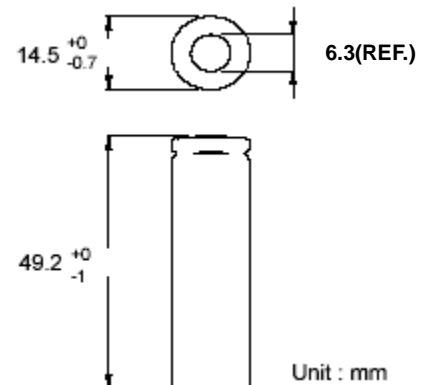
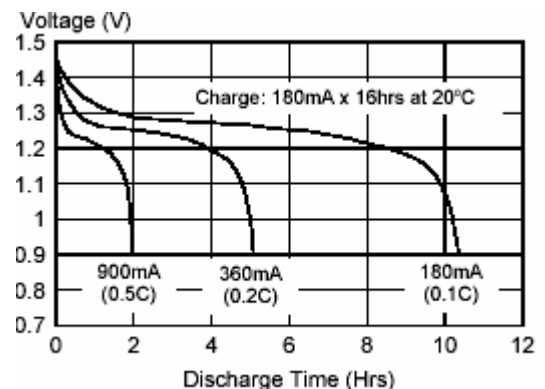


Model No.: GP180AAH

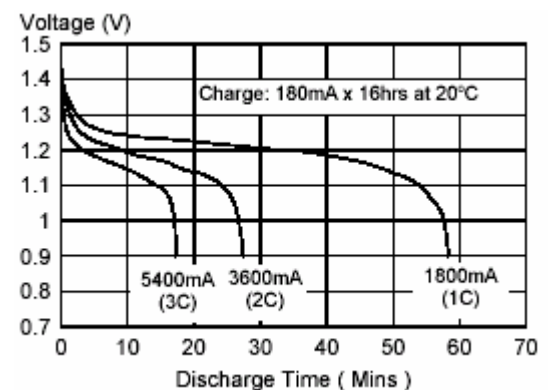


| | |
|--|--|
| Type | : Rechargeable Nickel Metal Hydride Cylindrical Cell |
| Nominal Dimension (with Sleeve) | : $\Phi = 14.5\text{mm}$ H = 49.2mm |
| Applications | : Recommended discharge current 180 to 5400mA |
| Nominal Voltage | : 1.2V |
| Capacity | : Rated : 1800mAh Typical : 1850mAh When discharged at 360mA to 1.0V at 20°C |
| Charging Condition | : 180mA for 16 hrs at 20°C |
| Charging Retention | : 80% of Rated capacity after cell storage at 20°C for 12 months When discharged at 360mA to 1.0V at 20°C |
| Fast Charge | : 900mA to 1800mA (0.5 to 1C) charge termination control recommended control parameters: - ΔV : 0-5mV DT/dt : 0.8°C/min (0.5 to 0.9C) 0.8 - 1°C/min (1C) TCO : 45 - 50°C Timer : 105% nominal input (for ref. only) |
| Service Life | : >500 cycles (IEC standard) |
| Continuous Overcharge | : 180mA maximum current for 1 year. No conspicuous deformation and/or leakage |
| Weight | : 28.0g |
| Internal Resistance | : Average 25m Ω upon fully charged (Max. 35m Ω) at 1000Hz |
| Max. Charging Voltage | : 1.5V at 180mA charging |
| Ambient Temperature Range | : Standard Charge : 0 to 45°C Fast Charging : 10 to 45°C Discharge : -20 to 50°C Storage : -20 to 35°C |

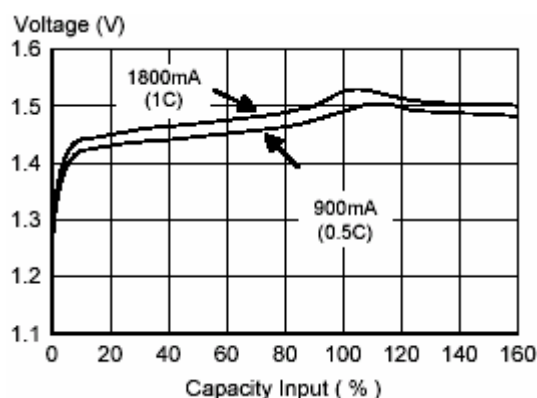
Low Rate Discharge



High Rate Discharge



Fast Charge (Charge Control Required)



The information (subject to change without prior notice) contained in this document is for reference only and should not be used as a basis for product guarantee or warranty. For applications other than those described here, please consult your nearest GP Sales and Marketing Office or Distributors.