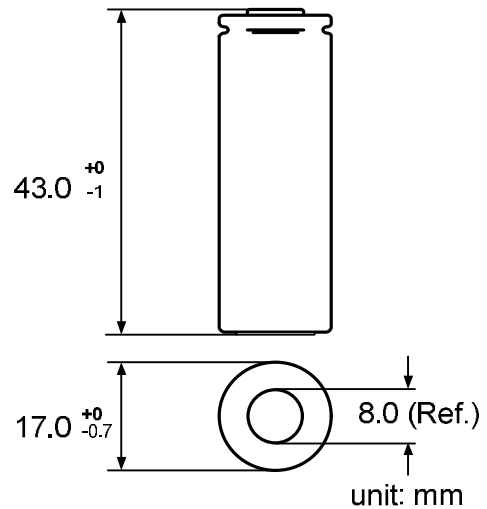
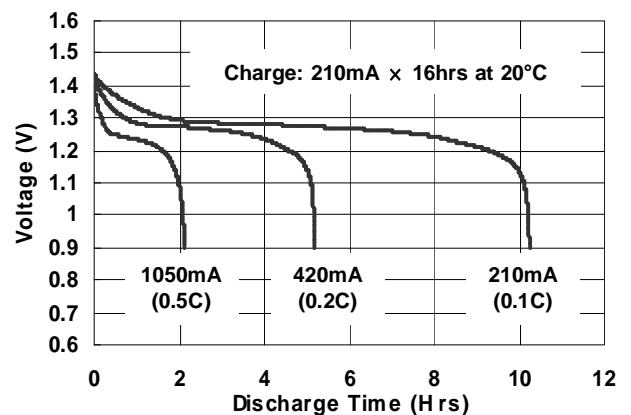


Type	: Rechargeable Nickel Metal Hydride Cylindrical Cell
Nominal Dimension (with Sleeve)	: $\Phi = 17.0\text{mm}$ H = 43.0mm
Applications	: Recommended discharge current: 210mA to 6300mA
Nominal Voltage	: 1.2V
Capacity	: Rated: 2100mAh Typical: 2160mAh When discharged at 420mA to 1.0V at 20°C
Charging Condition	: 210mA for 16hrs at 20°C
Charging Retention	: 50% of nominal capacity after cell storage at 20°C for 12 months When discharged at 420mA to 1.0V at 20°C
Fast Charge	: 1050mA to 2100mAh (0.5 to 1C) charge termination control recommended control parameters: - ΔV : 0-5mV DT/dt : 0.8°C/min(0.5C to 0.9C) 0.8 - 1°C /min(1C) TCO : 45-50°C Timer : 105% nominal input (for ref. only)
Service Life	: >500 cycles (IEC standard)
Continuous Overcharge	: 210mA maximum current for 1 year No conspicuous deformation and/or no leakage
Weight	: 33.0g
Internal Resistance	: Average 20 m Ω upon fully charged (Max. 30m Ω) at 1000Hz
Max. Charging Voltage	: 1.5V at 210mA charging
Ambient Temperature Range	: Standard Charging : 0 to 45°C Fast Charging : 10 to 45°C Discharge : -20 to 50°C Storage : -20 to 35°C Storage (1 week) : -20 to 60°C

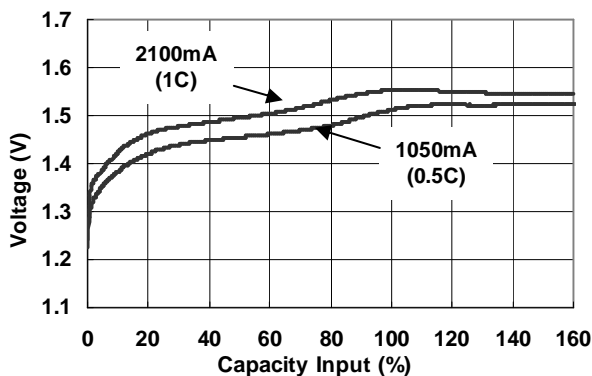
Model No.: GP211AFH



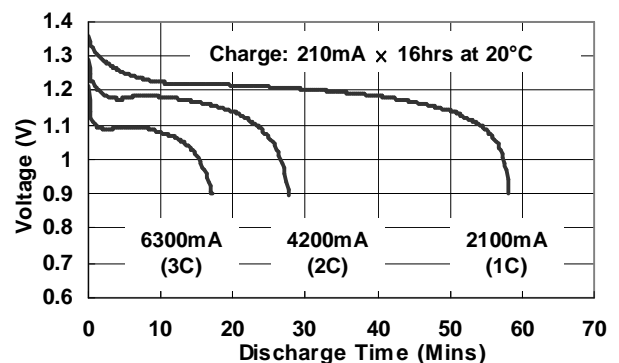
Low Rate Discharge



Fast Charge (Charge Control Required)



High Rate Discharge



The information (subject to change without prior notice) contained in this document is for reference only and should not be used as a basis for product guarantee or warranty. For applications other than those described here, please consult your nearest GP Sales and Marketing Office or Distributors.