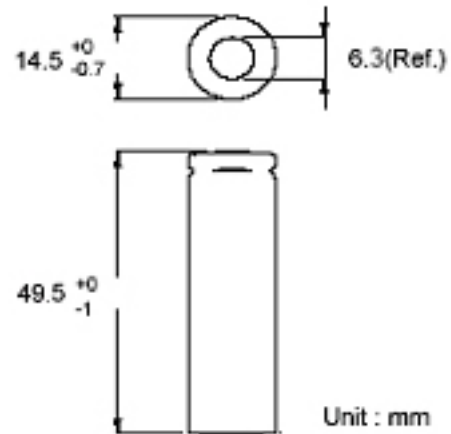
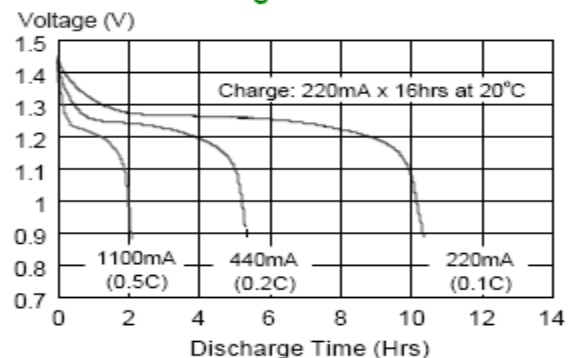


Model No.: **GP220AAH**

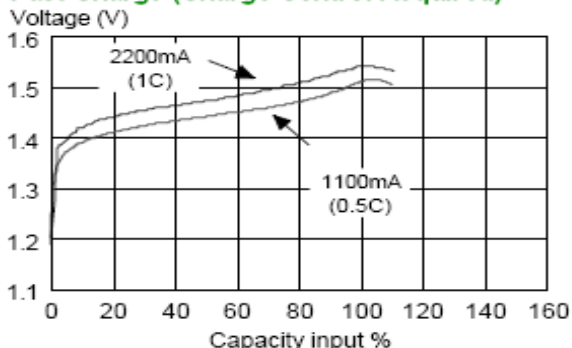
Type	Rechargeable Nickel Metal Hydride Cylindrical Cell
Nominal Dimension (with Sleeve)	Φ = 14.5mm H = 49.5mm
Applications	Recommended discharge current 220 to 6600mA
Nominal Voltage	1.2V
Capacity	Rated: 2200mAh Typical: 2250mAh When discharged at 440mA to 1.0V at 20°C
Charging Retention	80% of nominal capacity after cell storage at 20°C for 12 months When discharged at 440mA to 1.0V at 20°C
Charging Condition	220mA for 16 hrs at 20°C
Fast Charge	1100mA to 2200mA (0.5 to 1C) charge termination control recommended control parameters: -ΔV : 0-5mV DT/dt : 0.8°C/min (0.5 to 0.9C) 0.8 - 1°C/min (1C) TCO : 45 - 50°C Timer : 105% nominal input (for ref. only)
Service Life	>500 cycles (IEC standard)
Continuous Overcharge	220mA maximum current for 1 year. No conspicuous deformation and/or leakage
Weight	30.5g
Internal Resistance	Average 22mΩ upon fully charged (Max.28mΩ) at 1000Hz
Max. Charging Voltage	1.5V at 220mA charging
Ambient Temperature Range	Standard Charge : 0 to 45°C Fast Charging : 10 to 45°C Discharge : -20 to 50°C Storage : -20 to 35°C



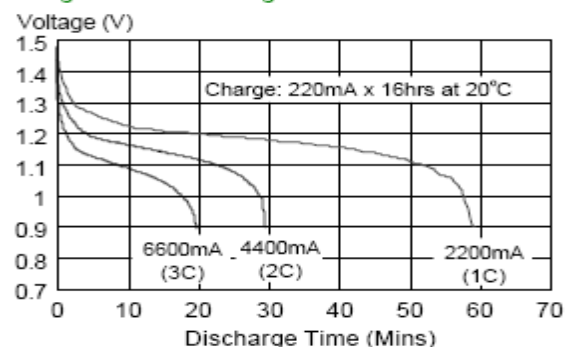
Low Rate Discharge



Fast Charge (Charge Control Required)



High Rate Discharge



The information (subject to change without prior notice) contained in this document is for reference only and should not be used as a basis for product guarantee or warranty. For applications other than those described here, please consult your nearest GP Sales and Marketing Office or Distributors.