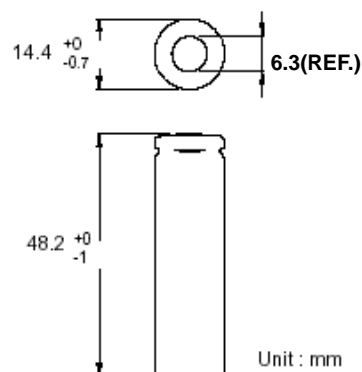
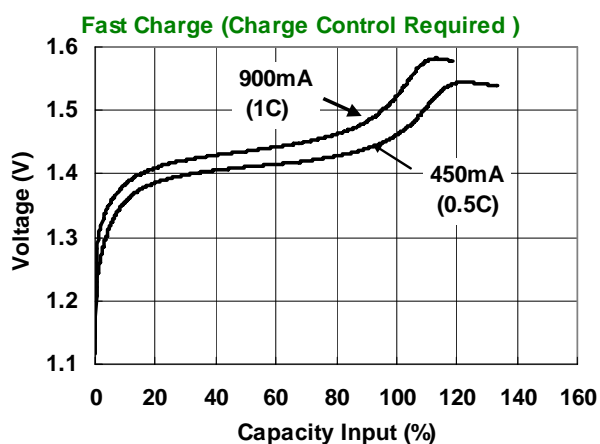
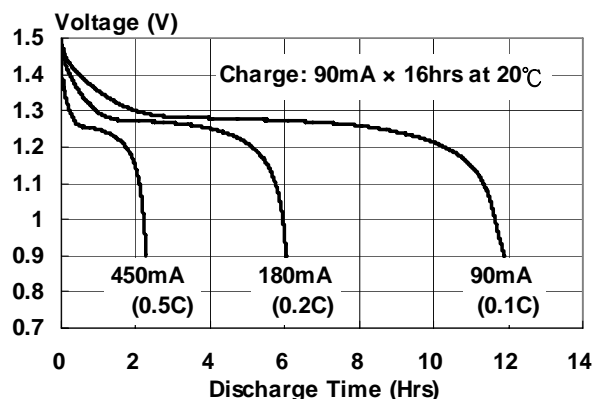


Model No.: GP90AAMD

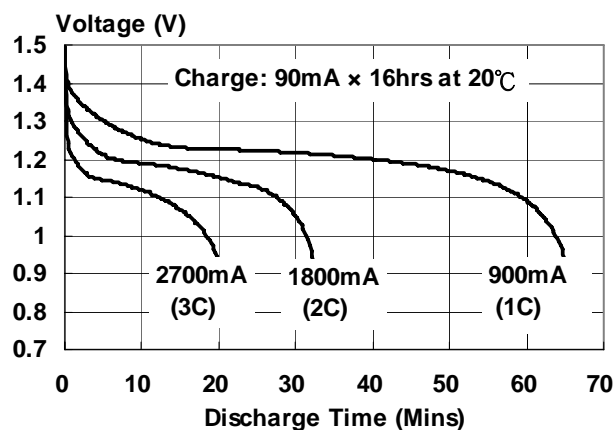


Type	: Rechargeable Nickel Metal Hydride Cylindrical Cell
Nominal Dimension (with Sleeve)	: $\Phi = 14.4\text{mm}$ H = 48.2mm
Applications	: Recommended discharge current 90 to 2700 mA
Nominal Voltage	: 1.2V
Capacity	: Rated: 900mAh Typical: 930mAh When discharged at 180mA to 1.0V at 20°C
Charging Condition	: 90mA for 16 hrs at 20°C
Charging Retention	: 80% of nominal capacity after cell storage at 20°C for 12 months When discharged at 180mA to 1.0V at 20°C
Fast Charge	: 450mA to 900mA (0.5 to 1C) charge termination control recommended control parameters: - ΔV : 0-5mV DT/dt : 0.8°C/min (0.5 to 0.9C) 0.8 - 1°C/min (1C) TCO : 45 - 50°C Timer : 105% nominal input (for ref. only)
Service Life	: >500 cycles (IEC standard)
Continuous Overcharge	: 90mA maximum current for 1 year. No conspicuous deformation and/or leakage
Weight	: 20.0g
Internal Resistance	: Average 25m Ω upon fully charged (Max.35m Ω) at 1000Hz
Max. Charging Voltage	: 1.5V at 90mA charging
Ambient Temperature Range	: Standard Charge : 0 to 45°C Fast Charging : 10 to 45°C Discharge : -20 to 50°C Storage : -20 to 35°C

Low Rate Discharge



High Rate Discharge



The information (subject to change without prior notice) contained in this document is for reference only and should not be used as a basis for product guarantee or warranty. For applications other than those described here, please consult your nearest GP Sales and Marketing Office or Distributors.

MRS6144 rev.02