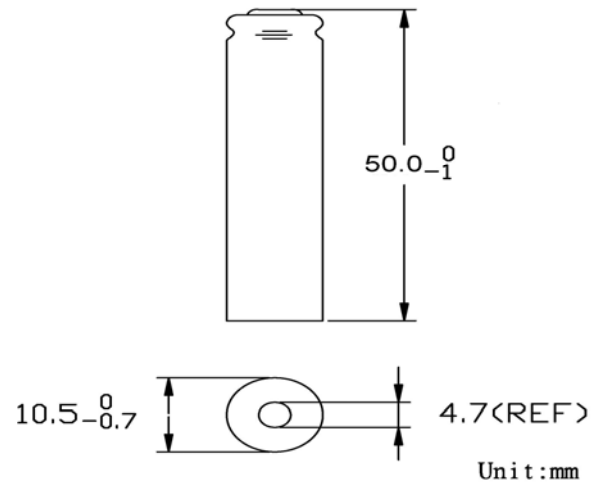
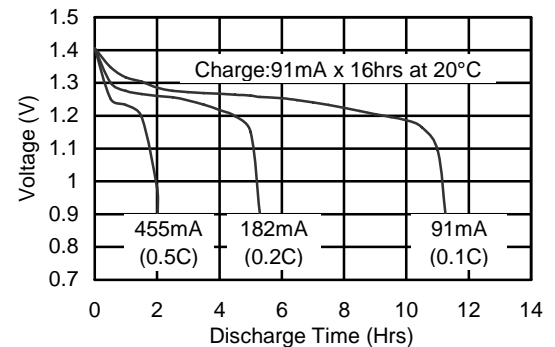


Model No.: GP91AALH

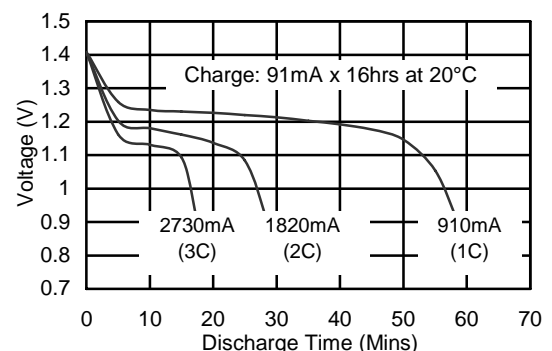
Type	: Rechargeable Nickel Metal Hydride Cylindrical Cell
Nominal Dimension (with Sleeve)	: $\Phi = 10.5\text{mm}$ H = 50.0mm
Applications	: Recommended discharge current 91 to 2730mA
Nominal Voltage	: 1.2V
Capacity	: Rated: 910mAh Typical: 930mAh When discharged at 182mA to 1.0V at 20°C
Charging Condition	: 91mA for 16 hrs at 20°C
Charging Retention	: 80% of nominal capacity after cell storage at 20°C for 12 months When discharged at 182mA to 1.0V at 20°C
Fast Charge	: 455mA to 910mA (0.5 to 1C) charge termination control recommended control parameters: - ΔV : 0-5mV DT/dt : 0.8°C/min (0.5 to 0.9C) 0.8 - 1°C/min (1C) TCO : 45 - 50°C Timer : 105% nominal input (for ref. only)
Service Life	: >500 cycles (IEC standard)
Continuous Overcharge	: 91mA maximum current for 1 year. No conspicuous deformation and/or leakage
Weight	: 15.1g
Internal Resistance	: Average 30m Ω upon fully charged (Max. 40m Ω) at 1000Hz
Max. Charging Voltage	: 1.5V at 91mA charging
Ambient Temperature Range	: Standard Charge : 0 to 45°C Fast Charging : 10 to 45°C Discharge : -20 to 50°C Storage : -20 to 35°C



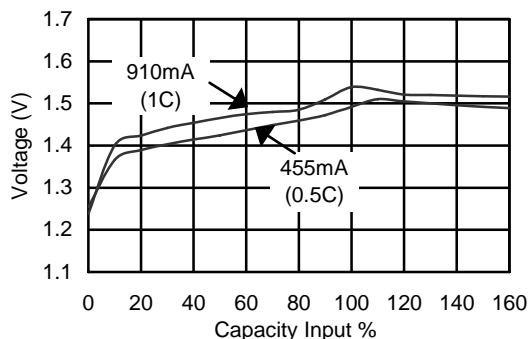
Low Rate Discharge



High Rate Discharge



Fast Charge (Charge Control Required)



The information (subject to change without prior notice) contained in this document is for reference only and should not be used as a basis for product guarantee or warranty. For applications other than those described here, please consult your nearest GP Sales and Marketing Office or Distributors.

TRS0693 rev.01