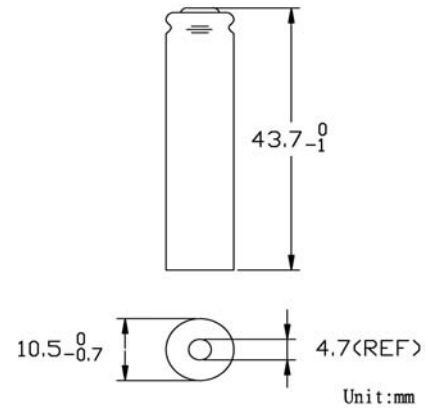
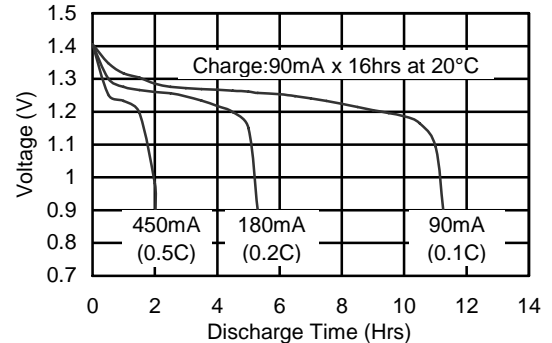


Model No.: **GP95AAAH**

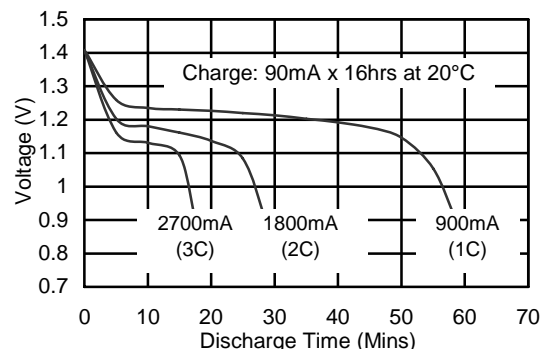
Type	: Rechargeable Nickel Metal Hydride Cylindrical Cell
Nominal Dimension (with Sleeve)	: $\Phi = 10.5\text{mm}$ H = 43.7mm
Applications	: Recommended discharge current 90 to 2700mA
Nominal Voltage	: 1.2V
Capacity	: Rated: 900mAh Typical: 920mAh When discharged at 180mA to 1.0V at 20°C
Charging Condition	: 90mA for 16 hrs at 20°C
Charging Retention	: 70% of rated capacity after cell storage at 20°C for 6 months, 50% of nominal capacity after cell storage at 20°C for 1 year When discharged at 180mA to 1.0V at 20°C
Fast Charge	: 450mA to 900mA (0.5 to 1C) charge termination control recommended control parameters: - ΔV : 0-5mV DT/dt : 0.8°C/min (0.5 to 0.9C) 0.8 - 1°C/min (1C) TCO : 45 - 50°C Timer : 105% nominal input (for ref. only)
Service Life	: > 500 cycles (IEC standard)
Continuous Overcharge	: 90mA maximum current for 1 year. No conspicuous deformation and/or leakage
Weight	: 15.2g
Internal Resistance	: Average 40m Ω upon fully charged (Max. 55m Ω) at 1000Hz
Max. Charging Voltage	: 1.5V at 90mA charging
Ambient Temperature Range	: Standard Charge : 0 to 45°C Fast Charging : 10 to 45°C Discharge : -20 to 50°C Storage : -20 to 35°C



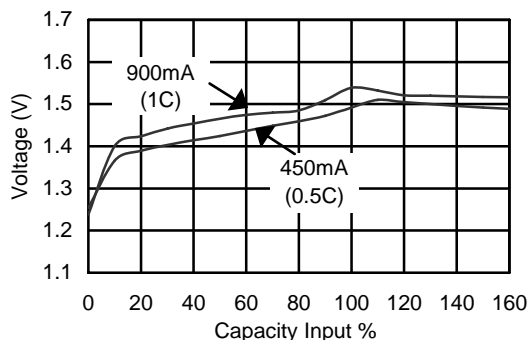
Low Rate Discharge



High Rate Discharge



Fast Charge (Charge Control Required)



The information (subject to change without prior notice) contained in this document is for reference only and should not be used as a basis for product guarantee or warranty. For applications other than those described here, please consult your nearest GP Sales and Marketing Office or Distributors.